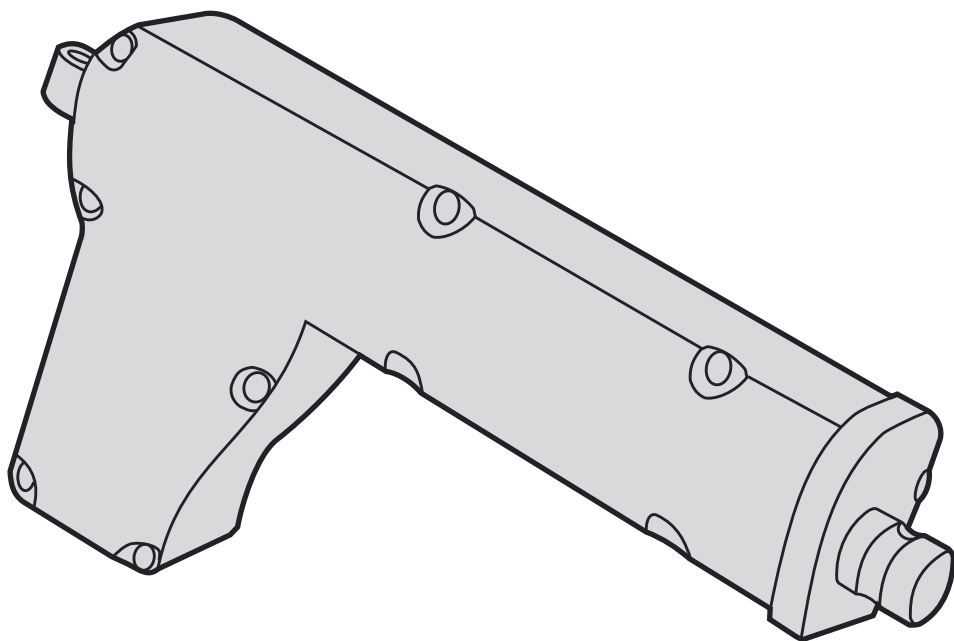


Installation manual for linear actuator Electrak E050 and Q050

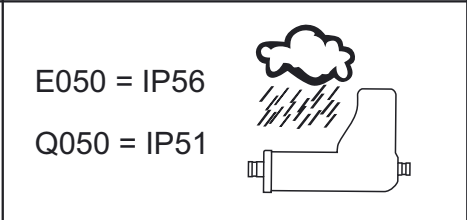
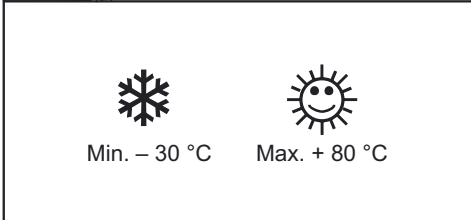
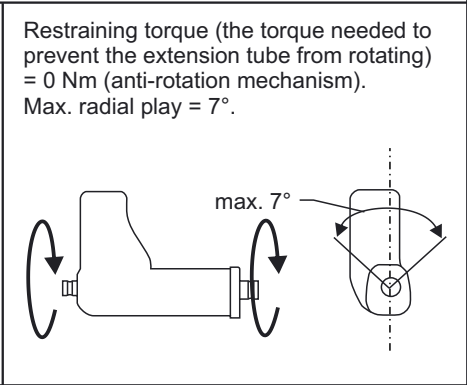
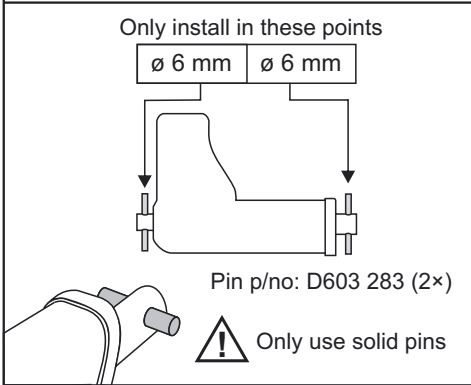
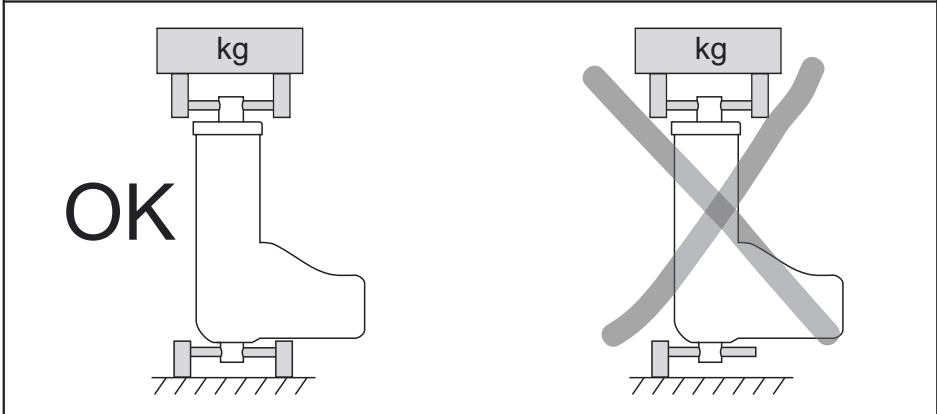
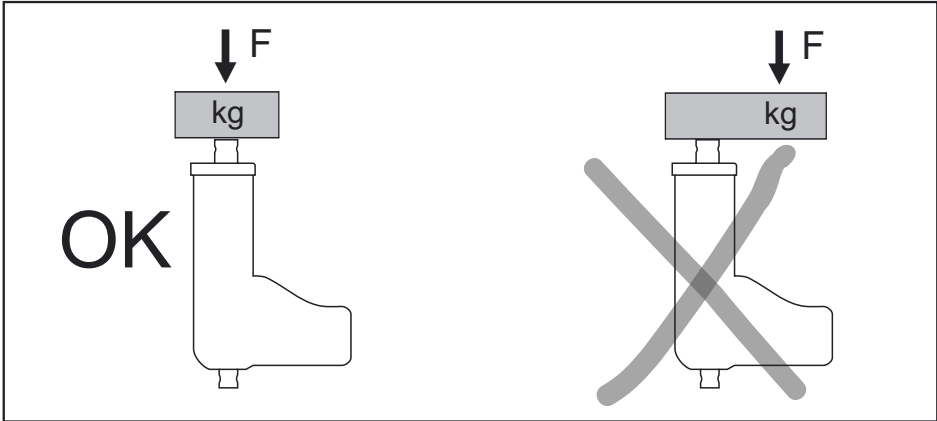


CE

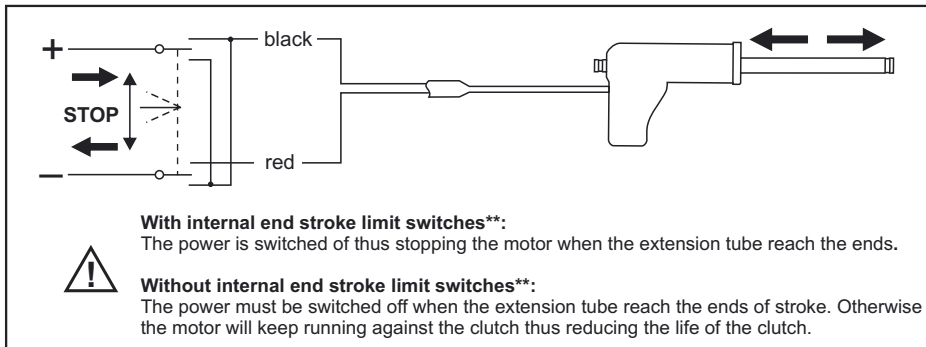
12 VDC

24 VDC

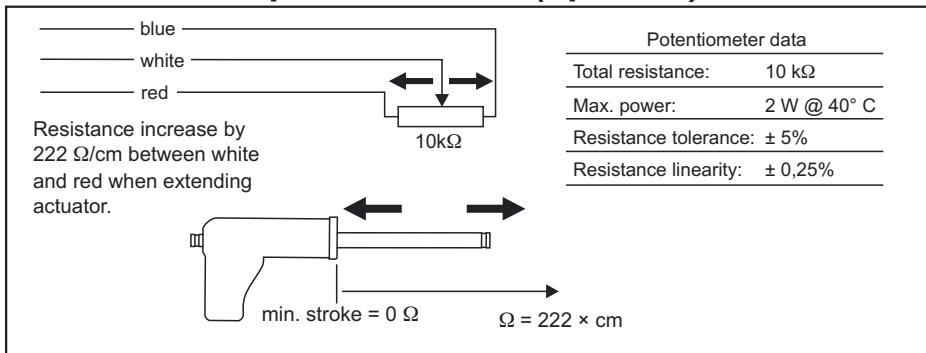
Basic mounting rules



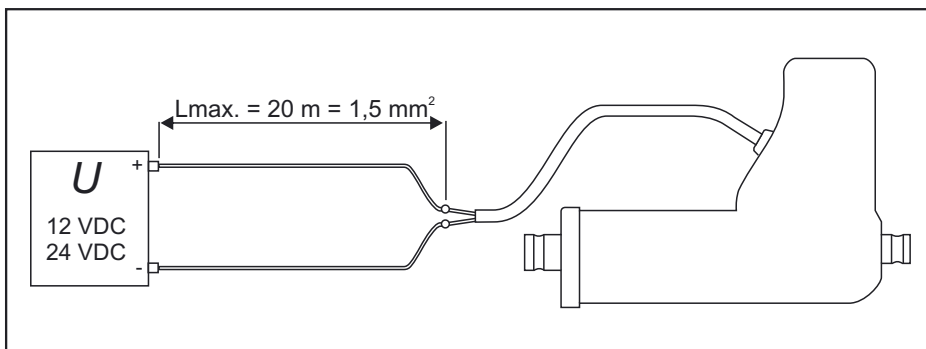
Connection of actuator (with or without internal limit switches)



Connection of potentiometer (option**)



Wire cross section



** see last page

CAUTION!
Always turn the power off before working on the actuator.

Technical data

	DE • • – (E050)	DE • • Q (Q050)
Motor	DC-motor with auto reset thermal switch (do not use thermal switch as overload protection)	
Supply voltage	12 Vdc (10 – 16 Vdc) or 24 Vdc (20 – 28 Vdc), see label on actuator	
Max. current	see label on actuator	
Max. dynamic load for screw lead 1* for screw lead 2* for screw lead 4*	510 N 275 N 140 N	
Max. static load	2 × max. dynamic load	
Speed @ min. load for screw lead 1* for screw lead 2* for screw lead 4	12 mm/s 24 mm/s 48 mm/s	9 mm/s 18 mm/s 38 mm/s
Speed @ max. load for screw lead 1* for screw lead 2* for screw lead 4*	9 mm/s 18 mm/s 37 mm/s	7,5 mm/s 14 mm/s 30 mm/s
End play max.	1,5 mm	
Duty cycle	25 % @ 20° C	
Restraining torque	0 Nm	
Ambient temperature	– 30 to + 80° C	
Lubrication	for life	
Life (except clutch)	min. 60 000 cycles	
Life of clutch	min. 10 000 operations	
Protection class	IP 56	IP51
Slip clutch	yes	
Limit switches	yes (code FS**)	
Options**	<ul style="list-style-type: none"> • Potentiometer without internal end stroke limit switches (code PO) • Potentiometer with internal end stroke limit switches (code PF) • Clevis crosshole rotated 90° and limit switches (code MF) • Clevis crosshole rotated 90° and potentiometer (code MP) 	

* See position 10 on the actuator's type designation label, e.g. DE24-17W4**2**M10FS.

** See position 14 and 15 on the actuator's type designation label, e.g. DE12Q17W41M12**PO**.

**Always install fuse and / or thermal breaker between
motor and power supply to protect actuator, wiring and other items.**

TOLLO LINEAR AB

PRINTED IN SWEDEN © 2001 DW110409gb-0617
Printed on recycled paper

Box 9053, SE-291 09 Kristianstad, Sweden
Tel. +46 (0)44-246700 Fax. +46 (0)44-244085