

KOLLMORGEN™

AKM Gearmotors

World Class Performance with no assembly required.

THOMSON®

Linear Motion. Optimized.™

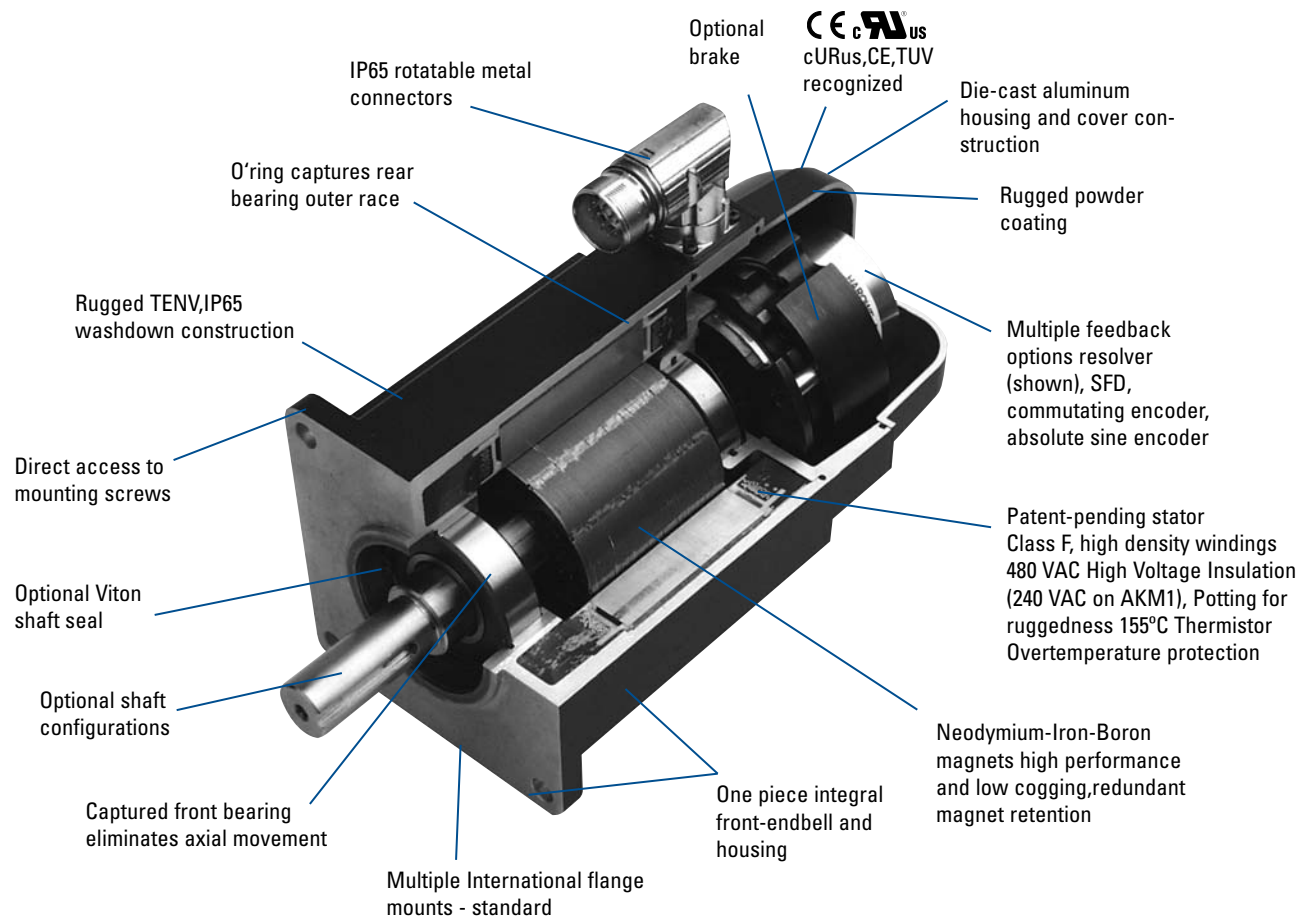
AKM Brushless Servomotors

The Kollmorgen AKM servomotors provide an unprecedented choice and flexibility from a wide range of standard products so you can select the best servo motor optimized for your application requirements. AKM servomotors offer the best of both worlds – the exact specifications of a custom solution with the faster delivery times and lower cost of a standard catalog product.



Features

- Best in class torque density with 25 stack/frame combinations
- Low-cog, low-harmonic distortion electro magnetic design
- European, North America and Japanese mounting standards
- More than 14 feedback variations of: resolver, SFD, commutating encoder, absolute sine encoders (single-turn and multi-turn) in the standard offering
- Single piece flow manufacturing providing faster delivery times on any arrangement of options
- Multiple feedback options resolver (shown), SFD, commutating encoder, absolute sine encoders
- Multiple International flange mounts – standard and the ability to customize
- Multiple shaft configurations – standard and the ability to customize
- Optional Teflon shaft seal



TRUE Planetary Gearheads

Thomson offers the largest selection of TRUE planetary gearheads in the world. Product offerings include both in-line and right angle solutions ranging in frame size from 40mm to 220mm and ratios from 1:1 to 500:1. Thomson's Helical Crowned TRUE Planetary design is industry leading in smoothness, torque and precision.

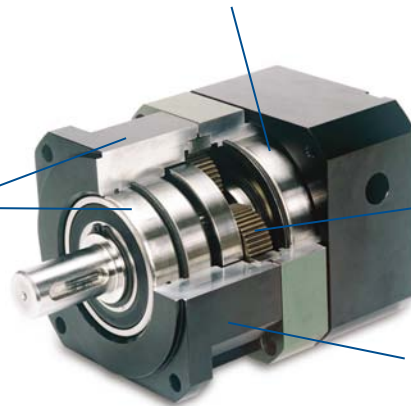


NemaTRUE Gearhead

- True Planetary Gearing Design
- Mounts to any motor with Micron's RediMount system
- 5 Available Frame Sizes
- High Precision: 13 arc-mins of backlash
- High Torque Capacity: Up to 5000 in-lbs
- High Radial Load Capacity: Up to 2000 lbs
- Ratio Availability: 3:1 to 100:1

RediMount system provides error-free motor installation

Sealed deep groove ball bearing provides precision alignment of sun gear



HRC 55-60 steel gears provide superior wear resistance and increased backlash integrity

Anodized aluminum housing reduces weight and prevents corrosion

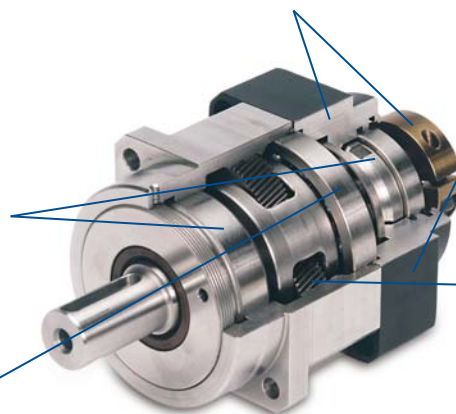
ValueTRUE Gearhead

- Helical Crowned True Planetary Gearing
- Mounts to any motor with Micron's RediMount system
- 8 Available Frame Sizes
- Ultra Precision: 4 arc-mins of backlash
- High Torque Capacity: 45,000 in-lbs
- High Radial Load Capacity: Up to 10,000 lbs
- Ratio Availability: 4:1 to 100:1

RediMount system provides error-free motor installation

Tapered roller bearings provide high axial and radial load carrying capacity

Sealed deep groove ball bearings provide high radial load carrying capability



Anodized aluminum housing reduces weight and prevents corrosion

Helical crowned HRC 55-60 steel gears provide higher torque capacity and smoother operation

AKM Gearmotors

For high-torque applications, Thomson performance gearmotor solutions offer incredible value. AKM servomotors attached to Micron TRUE Planetary gearheads create the industry leading system that sets the standard for torque value and performance.

The AKM Gearmotor World Class Performance delivered as a System

Typical Issues	AKM Gearmotor Solution
Project planning and multiple lead times	Let Thomson solve your system needs within the standard lead-time of the motor. One system solution with one lead-time.
Single source your system solution	Thomson provides a breadth of gearmotor systems with one Part Number to order and maintain.
High demand applications with torque limiting systems' speed performance	AKM's broad torque band allows higher speeds to be realized while providing precision speed regulation at the gearmotor output shaft.
Design of mounting / alignment hardware	AKM gearmotors offer one component to mount without the need for managing adapters between the motor and gearbox.
Imperfect alignment of gearbox and motor causes reduced performance and premature failure	Thomson's AKM gearmotor eliminates alignment issues by combining, testing and qualifying each system at the factory.
Compliance in motor mounting to the load	AKM servomotors feature high motor-dynamics that are optimized through the torsional stiffness of the Micron TRUE gearhead.
Servo tuning difficulty due to backlash and compliance of gearbox	Micron TRUE planetary gearheads offer industry-leading accuracy (low backlash).
Increased backlash due to wearing gears	Micron TRUE planetary gearheads offer 100% load sharing over the hardened gears.
Motor bearing failure due to radial loading	Micron TRUE planetary gearheads resultant force on motor bearing is zero!
Gearbox lubrication and maintenance	Micron TRUE gearheads are lubricated for life with no maintenance required.

AKM Gearmotors. The new standard in Performance, Reliability and Convenience.

Combining the industry-leading torque density from AKM servomotors with the proven performance of Micron TRUE planetary gearheads produces a single factory integrated solution. Built for high torque applications, AKM gearmotors offer the precision and performance for the most demanding motion control environments.

- Easy selection of factory tested combinations, no matching of motor and gearhead required
- Single unit design for quick delivery of ready-to-mount system units
- Factory integrates and tested design eliminates assembly errors
- Save assembly time and get machines up and running faster
- Gain valuable machine space with the highest torque density gearmotors available



Motion Control Applications

- Converting
- Printing
- Semiconductor water fabrication
- Coating and film processing
- High speed electronic assembly
- Injection Molding
- Packaging
- Pedestal azimuth and elevation



USA, CANADA and MEXICO

Thomson
 203A West Rock Road
 Radford, VA 24141, USA
 Phone: 1-540-633-3549
 Fax: 1-540-633-0294
 E-mail: thomson@thomsonlinear.com
 Literature: literature.thomsonlinear.com

EUROPE**United Kingdom**

Thomson
 Office 9, The Barns
 Caddesdown Business Park
 Bideford
 Devon, EX39 3BT
 Phone: +44 (0) 1271 334 500
 E-mail: sales.uk@thomsonlinear.com

Germany

Thomson
 Nürtinger Straße 70
 72649 Wolfschlügen
 Phone: +49 (0) 7022 504 0
 Fax: +49 (0) 7022 504 405
 E-mail: sales.germany@thomsonlinear.com

France

Thomson
 Phone: +33 (0) 243 50 03 30
 Fax: +33 (0) 243 50 03 39
 E-mail: sales.france@thomsonlinear.com

Italy

Thomson
 Largo Brughetti
 20030 Bovisio Masciago
 Phone: +39 0362 594260
 Fax: +39 0362 594263
 E-mail: sales.italy@thomsonlinear.com

Spain

Thomson
 E-mail: sales.esm@thomsonlinear.com

Sweden

Thomson
 Estridsväg 10
 29109 Kristianstad
 Phone: +46 (0) 44 24 67 00
 Fax: +46 (0) 44 24 40 85
 E-mail: sales.scandinavia@thomsonlinear.com

ASIA**Asia Pacific**

Thomson
 E-mail: sales.apac@thomsonlinear.com

China

Thomson
 Rm 2205, Scitech Tower
 22 Jianguomen Wai Street
 Beijing 100004
 Phone: +86 400 6661 802
 Fax: +86 10 6515 0263
 E-mail: sales.china@thomsonlinear.com

India

Thomson
 c/o Fluke Technologies Pvt. Ltd.
 #424, Deodhar Center,
 Marol Maroshi Road,
 Andheri – E, Mumbai – 400059 India
 Phone: +91 22 29207641
 E-mail: sales.india@thomsonlinear.com

Japan

Thomson
 Minami-Kaneden 2-12-23, Suita
 Osaka 564-0044 Japan
 Phone: +81-6-6386-8001
 Fax: +81-6-6386-5022
 E-mail: csjapan@scgap.com

Korea

Thomson
 F7 Ilsong Bldg, 157-37
 Samsung-dong, Kangnam-gu,
 Seoul, Korea (135-090)
 Phone: +82 2 6917 5049
 Fax: +82 2 528 1456
 E-mail: sales.korea@thomsonlinear.com

SOUTH AMERICA**Brazil**

Thomson
 Av. Tamboré, 1077
 Barueri, SP – 06460-000
 Phone: +55 (11) 3616-0191
 Fax: +55 (11) 3611-1982
 E-mail: sales.brasil@thomsonlinear.com